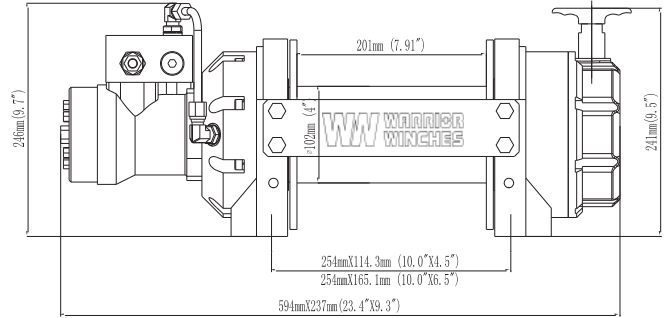
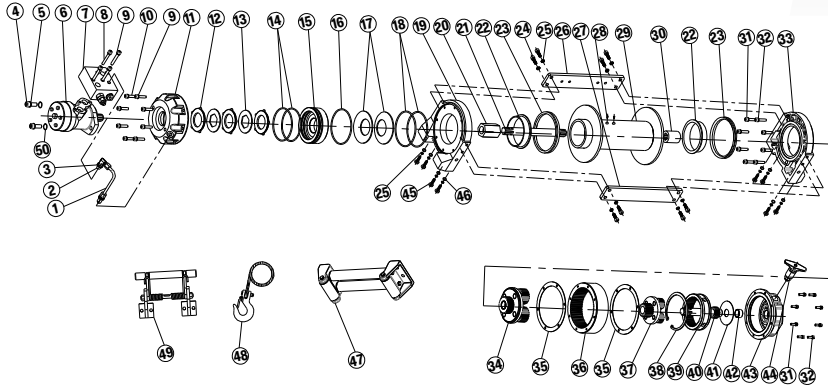


Ref:	Description:	Sku:
1	Hydraulic Motor	HV1000100-2
2	Balance Valve	BAL002
3	End Bearing	HV1000031
4	Motor Bracket	HV1000018
5	Tensioner	TEN80/10RV-CAD
6	Gearbox	GBT10RVSHY
7	Clutch Assembly	HV1500500
8	Roller Fairlead	RF80/10RV-CAD
9	Cable wth Hook	WIR10RV-CAD
10	Hook	CHKS038-CAD
11	Fairlead (for Synthetic Rope)	ALIRV10-CAD
12	0.39" x 65.6' Synthetic Rope and Hook	10AEMU/20-CAD

WW WARRIOR WINCHES INDUSTRIAL

- 🔑 **MODEL** / 10RVSHY-CAD
10RVAHY-CAD
- ⚡ **MOTOR TYPE** / Hydraulic 6.1 ci (100cc)
- ★ **CERTIFICATION** / SAEJ-706



#	Part Number	Description	Qty.
1	HV1000001	High-pressure oil tube	1
2	HV1000002	Oil connection	2
3	HV1000003	Combination Washer 14	2
4	HV1000004	Cap Screw M12 x 30	2
5	HV1000005	Lock Washer Φ12	2
6	HV1000100-2	Hydraulic Motor	1
7	HV1000006	Blanced valve	1
8	HV1000007	Cap Screw M8 x 55	4
9	HV1000008	Lock Washer Φ8	12
10	HV1000009	Screw M8 x 30	8
11	HV1000010	Brake stents	1
12	HV1000011	Brake block	3
13	HV1000012	Friction plate	2
14	HV1000013	O-ring seal 100*3.55	2
15	HV1000014	Piston	1
16	HV1000015	O-ring seal 140*2.65	1
17	HV1000016	Disk spring	2
18	HV1000017	O-ring seal 115*3.55	2
19	HV1000018	Motor bracket	1
20	HV1000019	Coupling	1
21	HV1000020-1	Transmission shaft	1
22	HV1000021	Bearing bush	2
23	HV1000022	Ring Seals	2
24	HV1000023	Screw M10 x 25	8
25	HV1000024	Lock Washer Φ10	16

#	Part Number	Description	Qty.
26	HV1000025-1	Stand bar (b)	1
27	HV1000026-1	Stand bar (a)	1
28	HV1000027	Screw M8 x 15	2
29	HV1000200-1	Drum Assembly	1
30	HV1000028	Coupling (1)	1
31	HV1000029	Cap Screw M6 x 20	16
32	HV1000030	Lock Washer Φ6	16
33	HV1000031	End Bearing	1
34	HV1000300	Gear Carrier Assembly (Output)	1
35	HV1000032	Gasket	2
36	HV1000033	Gear-Ring (Output)	1
37	HV1000400	Gear Carrier Assembly (Input)	1
38	HV1000034	Circlip for hole Φ125	1
39	HV1000035	Gear-Ring (Input)	1
40	HV1000036	Gear—Input Sun	1
41	HV1000037	Trust Washer	1
42	HV1000038	Axle sleeve	1
43	HV1000039	Cover-Gear Housing	1
44	HV1000500	Clutch Assembly	1
45	HV1000040	Screw M10 x 35	8
46	HV1000041	Think Flat Washer Φ10	8
47	HV1000600-1	Roller Fairlead	1
48	HV1000700-2	Cable Assembly	1
49	HV1000800-1	Tensioned Of Steel Wire Supplied Assembly	1
50	HV1000042	Think Flat Washer	2

