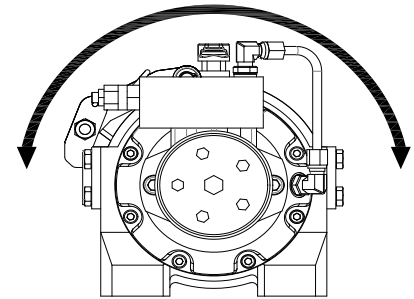


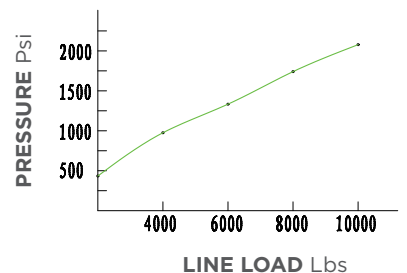
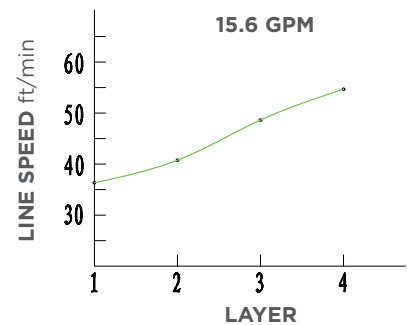


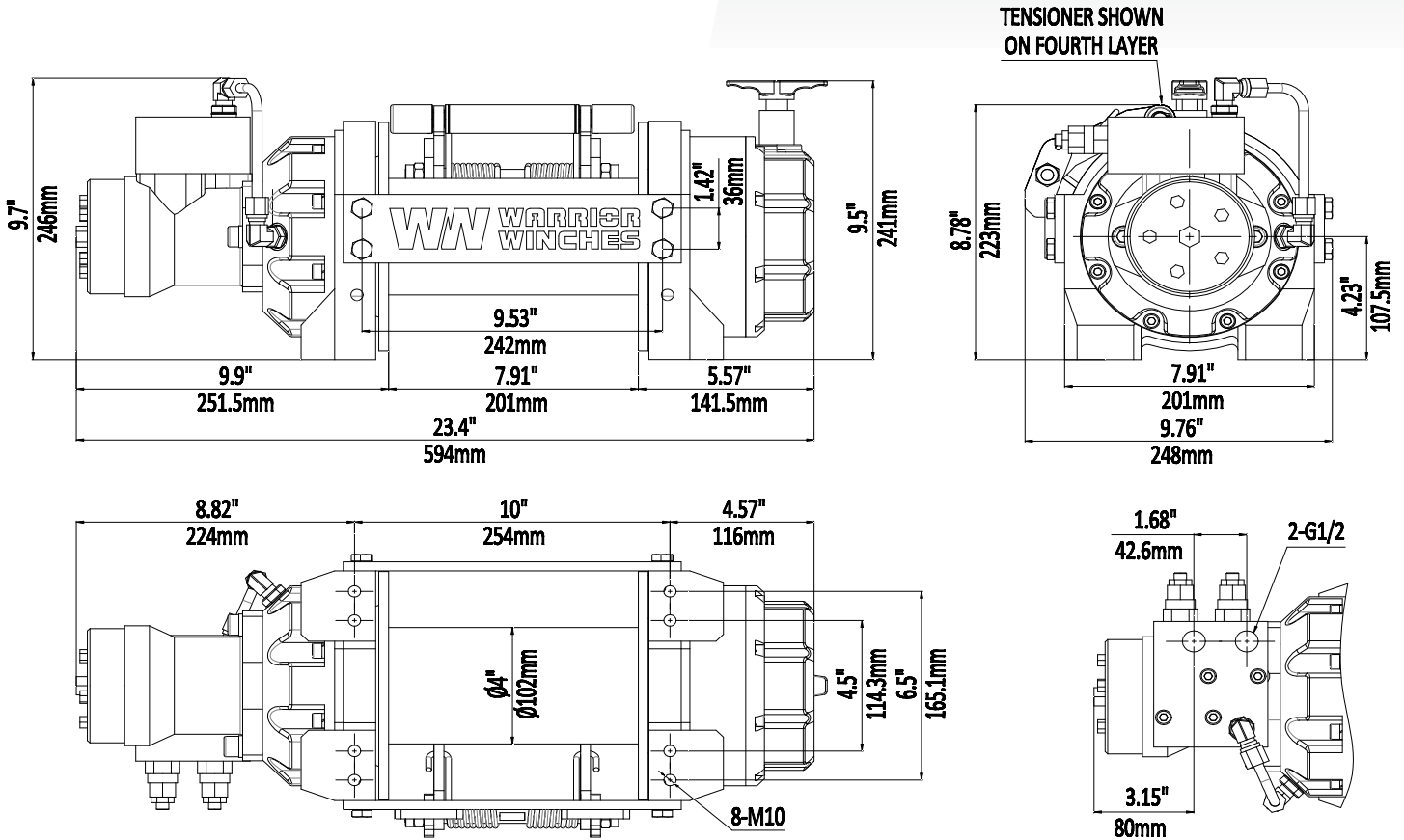
Engineering Data							
<b>Rated Pulling Force:</b>	10000 lbs		4536 kg				
<b>Drum Barrel Diameter:</b>	4 in		102 mm				
<b>Drum Flange Diameter:</b>	7.8 in		198 mm				
<b>Distance Between Flanges:</b>	7.91 in		201 mm				
<b>Rope Diameter:(Steel Rope)</b>	13/32 in		10.2 mm				
<b>Min.Rope Breaking Strength:</b>	19840 lb		9000 kg				
<b>Maximum Layers of Rope:</b>	4						
<b>Gear Reduction:</b>	17.6:1						
<b>Brake Type:</b>	Wet-type hydraulic brake						
<b>Net weight:</b>	108 lbs		49 kg				
Performance By Layer - 13/32" (10.2mm) dia. rope							
Drum Layer	Line Load			Line Speed		Drum Capacity	
	lb	kg	kN	ft/min	m/min	ft	m
1	10000	4536	44.4	36	11	23	7
2	7355	3336	32.7	41	12.5	49.2	15
3	6780	3075	30.1	47.5	14.5	78.7	24
4	5711	2591	25.3	54.1	16.5	98.4	30
*Never exceed Rated Pulling Force. A Rated Capacity Limiter is recommended.							
First Layer Performance							
Line Load		Pressure		Duty Cycle			
lb	kg	Mpa	Psi	min/10min			
0	0	3	435	N/A			
4000	1814	6.8	986	N/A			
6000	2722	9.2	1334	N/A			
8000	3629	12	1740	N/A			
10000	4536	15	2175	N/A			

### Drum Rotation



Viewed from motor end





Hydraulic System Specifications			Control Valve Schematic					
Maximum System Pressure	3000 psi	207 BAR	Control Valve Type	3 Position, 4 Way				
Maximum Motor Pressure Drop	3000 psi	207 BAR	<table border="1"> <tr> <td> <b>"H" Type</b>            A B              P T         </td> <td> <b>"Y" Type</b>            A B              P T         </td> </tr> <tr> <td> <b>"O" Type</b>            A B              P T         </td> <td> <b>"M" Type</b>            A B              P T         </td> </tr> </table>		<b>"H" Type</b> A B  P T	<b>"Y" Type</b> A B  P T	<b>"O" Type</b> A B  P T	<b>"M" Type</b> A B  P T
<b>"H" Type</b> A B  P T	<b>"Y" Type</b> A B  P T							
<b>"O" Type</b> A B  P T	<b>"M" Type</b> A B  P T							
Maximum Rated Input Flow	15.6 GPM	59 LPM						